

Project:

Quantity:

Item #:

Model Specified:

# TURBO AIR'S UNIQUE ENERGY SAVING DESIGN!

## One and Two Door Models

CABINET INTERIOR/EXTERIOR SPECIFICATIONS



TSR-49SD



TSR-23SD

### Refrigerator TSR-23SD, TSR-49SD

STAINLESS STEEL INTERIOR AND EXTERIOR

Exterior cabinet including front, doors, and sides are constructed of 300 series stainless steel. Digitally controlled Temperature System LED display shows exact temperature reading of the units

#### • High-tech Monitor

The unit will beep to warn you if the door has been open for more than 2 minutes. The monitor has an indicator that lets you know that the fan is working. The monitor digitally displays the present temperature. You can easily adjust the temperature by pressing the up or down button.

#### • Bottom Mounted Compressor

All Units feature a bottom-mounted compressor for energy savings, high efficiency and easy service. The bottom-mounted compressor also allows the food to be placed in an ergonomically correct location.

#### • Self-Diagnostic System

Shows the status of the unit immediately.

#### • Efficient Refrigeration System

Turbo Air's solid refrigerators and freezers are designed with over-sized evaporators and condensers for faster cooling and greater efficiency.

#### • Digitally controlled Temperature System

Enables temperature control without opening the door. Freshness of products lasts longer by keeping the correct temperature.

#### • Self-Contained System

No Plumbing required. Simple installation.

#### • Self-Closing and Stay Open Door

Doors are equipped with self-closing and stay open feature.

#### • Adjustable Stainless Steel Wire Shelves

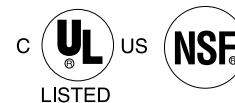
Durable and easy to adjust.

#### • Bun Tray Racks Available

All models are available for full door tray racks but lamp shield will have to be removed prior to being installed and re-assemble lamp and lamp-shield after installing racks.

#### • Other Features

- Solid and sturdy grille design.
- Minimum wattage heater in the cabinet frame to conserve energy and keep your cabinet water free.
- Incandescent interior lighting.
- Foamed with polyurethane, high-density cell insulation. (CFC free)
- Positive seal with self closing doors.
- Automatic evaporator fan motor delay when the door is open.
- Stay-Open Door system.
- Door locks.
- 4" swivel casters.



REFRIGERATOR MANUFACTURER  
**Turbo air**

3088 Walnut Ave., Long Beach, CA 90807  
Toll Free (800)627-0032 [www.turboairinc.com](http://www.turboairinc.com)

Project:

Quantity:

Item #:

Model Specified:

# One and Two Door Models

(Unit : inch)

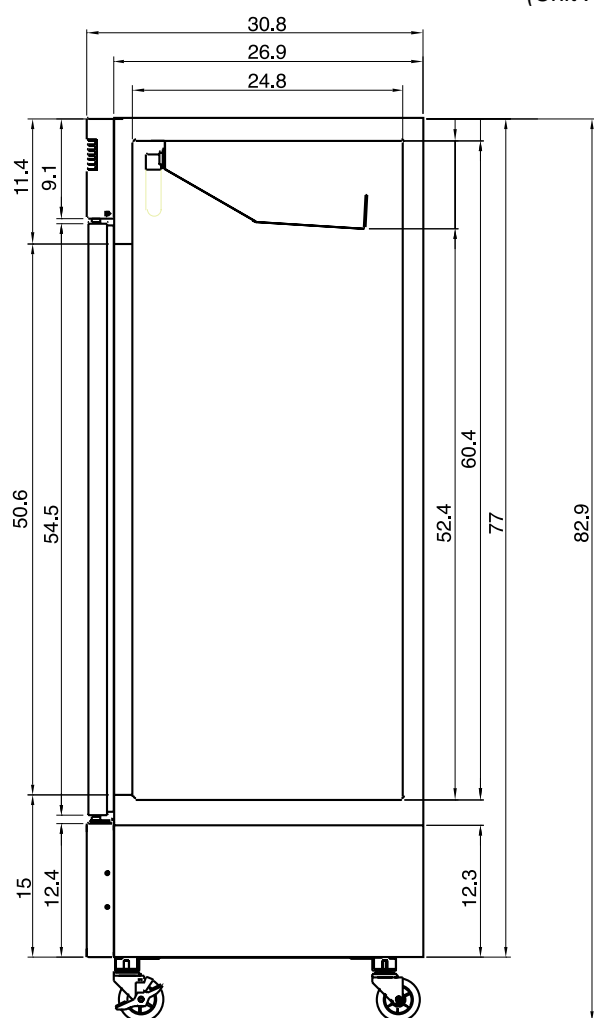
## CABINET INTERIOR/EXTERIOR SPECIFICATIONS

ELECTRICAL DATA	TSR-23SD	TSR-49SD
Voltage	115/60-1	115/60-1
Feed Wires (With ground)	3	3
Wattage@115volts	345	470
Ampares@115volts	5.5	9.2

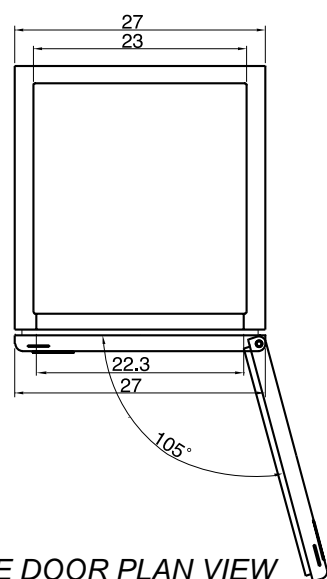
SHIPPING DATA	TSR-23SD	TSR-49SD
Length-Crated (in)	29.3	56.8
Depth-Crated (in)	33.7	31.9
height-Crated (in)	84.3	83.3
Volume-Crated (cu.ft)	48.1	87.3
Net Weight(lbs)	259	412
Weight after packing(lbs)	308.6	485

DIMENSIONAL DATA	TSR-23SD	TSR-49SD
# OF DOORS	1	2
Net Capacity (cu.ft)	23	49
Rack capacity	1	2
Length overall (in)	27	54.4
Depth overall (in)	30.8	30.8
Height overall (in)	82.9	82.9
Interior dimension(LxDxH)	23 x 24.8 x 60.4	50.5 x 24.8 x 60.4
Shelf size	21.6 x 23.3	24.4 x 23.3
# of shelves	3	6

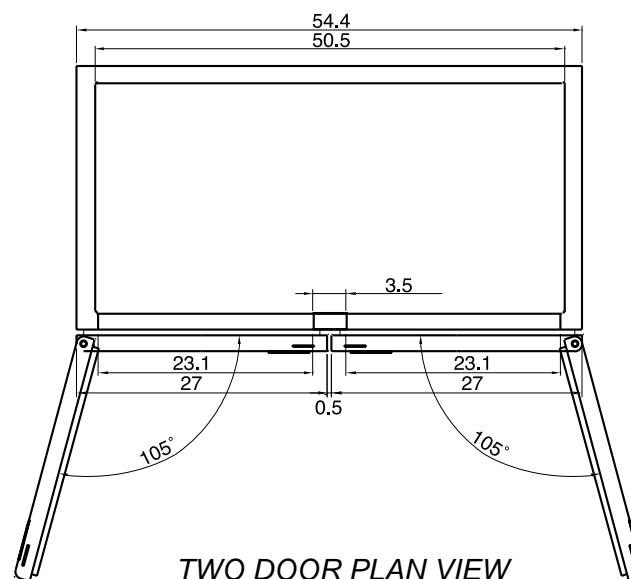
\*Design and specifications can be changed without prior notice for product improvement.



ONE &amp; TWO SIDE VIEW



ONE DOOR PLAN VIEW



TWO DOOR PLAN VIEW

REFRIGERATOR MANUFACTURER  
**Turbo air**

3088 Walnut Ave., Long Beach, CA 90807  
Toll Free (800)627-0032 www.turboairinc.com